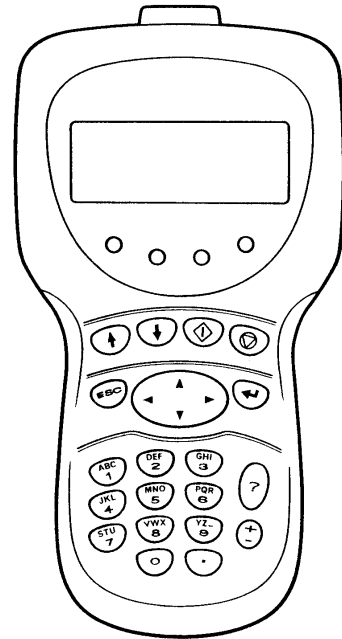


ALSPA MV3000 Drive Data Manager™

Part Numbers MVS3000-4001, -4011

Features / Specification :

- Back lit 4 line 20 character display
- Alpha numeric keypad
- Local Run/Stop and Reference control
- Meets IP41 environmental requirements
- Cubicle Mounting Kit to achieve IP65 available
- Power from drive - no external supply
- Humidity : 5% to 95% Relative Humidity, non condensing.
- Altitude : Normal operating up to 2000m above sea level.
- Temperature : Operating 0°C to 50°C
 Storage -25°C to 70°C

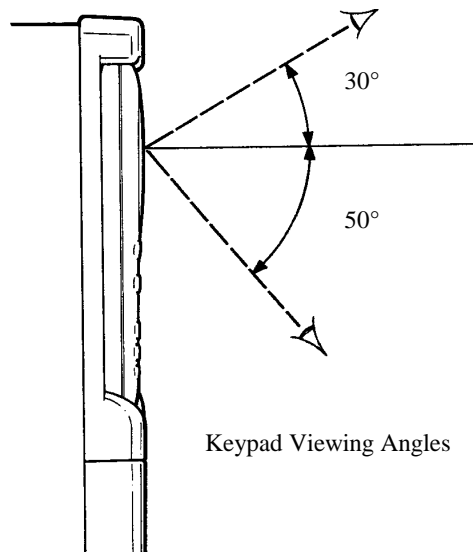
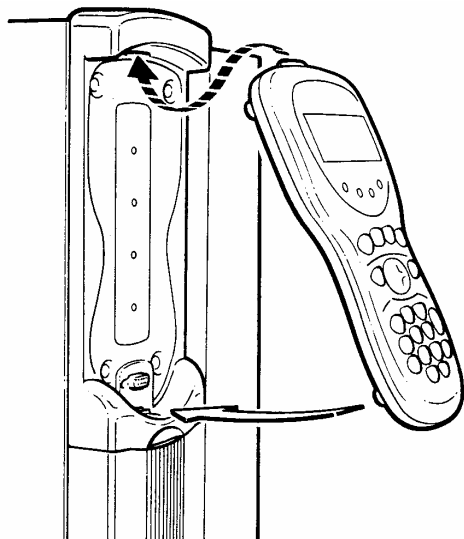


Box Contents

This box contains one MVS3000-4001, -4011 Keypad for the MV3000 drive, desiccant and an anti-static bag.

Fitting Instructions

The keypad fits into the drive harbour by first sliding the lip on the top of the keypad into position, then tilting the keypad back.



Related Documents

Information describing the specification of this product and the requirements for its operation and maintenance are contained in the following manuals :

T1676EN ALSPA MV3000 Getting Started Manual for AC-fed Drives.

Warning: Failure to comply with any of the general requirements for installation, operation and maintenance provided in the technical manuals will significantly increase the risk of maloperation, fire or electric shock.

Related Products

A cubicle mounting kit allowing the keypad to meet IP65 is also available, consisting of a waterproof gasket and an extension lead, order number MVS3001-4001.

Customer Services

Please refer to your local technical support centre if you have any queries about this product.

Avid Controls, Inc.
41261 Park 290 Dr
Waller, TX 77484
+1(281)640-8600
Fax +1(281)640-8605
info@avidcontrolsinc.com
www.avidcontrolsinc.com