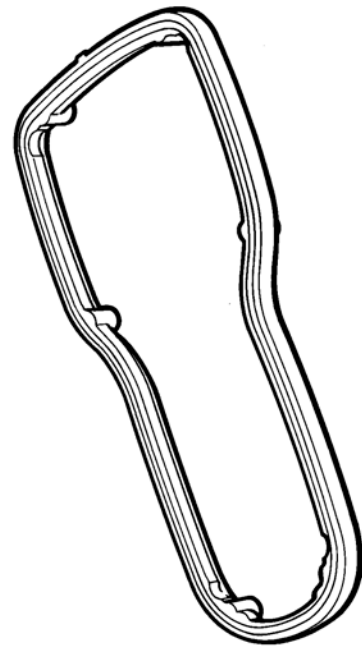
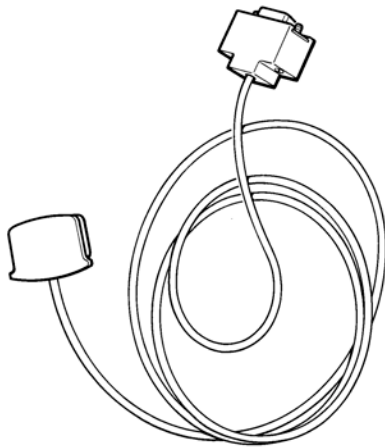


ALSPA MV3000 Drive Data Manager™ Lead/Mounting Kit

Part Number MVS3001-4001

Features / Specification :

- 3 metre extension cable for hand-held operation, or enclosure mounting of Drive Data Manager™
- Mounting Kit to achieve IP65, when mounted on an enclosure panel
- Drilling template for enclosure mounting of the Drive Data Manager™
- Humidity : 5% to 95% Relative Humidity, non condensing
- Temperature : Operating 0°C to 50°C
Storage -25°C to 70°C



Related Documents

Failure to comply with any of the general requirements for installation, operation and maintenance provided in the technical manuals will significantly increase the risk of maloperation, fire or electric shock.

T1676 ALSPA MV3000 Getting Started Manual

Scope

This instruction sheet explains how to mount the Drive Data Manager™ on an enclosure, and how to correctly use the extension cable for hand held operation.

ALSPA MV3000 Drive Data Manager™ Lead/Mounting Kit

Related Products

This enclosure mounting kit is intended for use with the MV3000 Drive Data Manager™ MVS3000-4001, allowing it to meet IP65.

Box Contents

This box contains the following items :

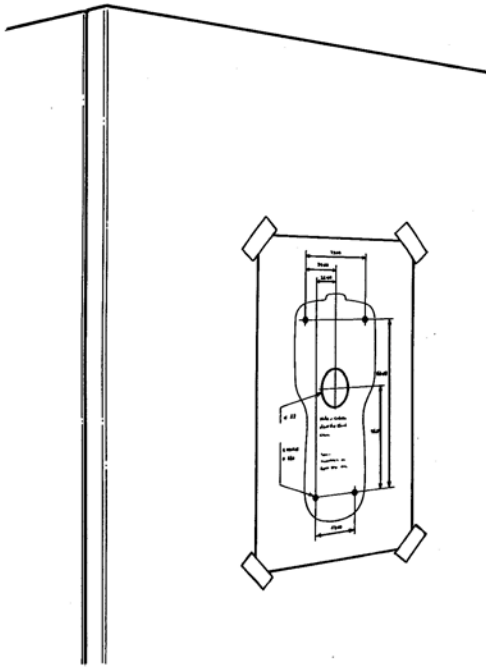
Description	Quantity
This Instruction Sheet (T1916) including drilling template	1
Data Drive Manager™ Seal	1
Drive Data Manager™ Lead	1
M4 x 8mm Screws	4
M4 Spring Washers	4
4-40UNC Female Screw Locks	2
Cable Tie	1

ALSPA MV3000 Drive Data Manager™ Lead/Mounting Kit

Fitting Instructions For Enclosure Operation Of The Drive Data Manager™

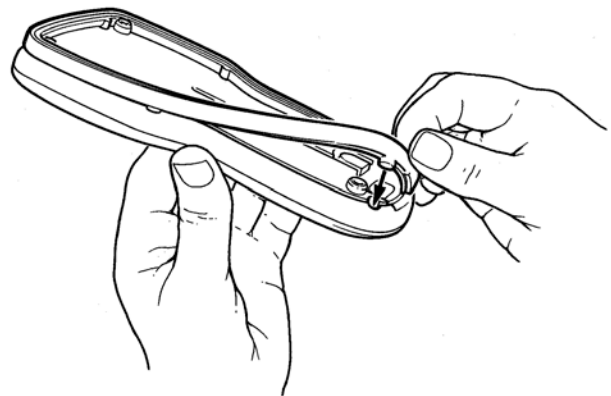
CAUTION

Do not photocopy the template as it may change size. Only use the template provided by **ALSTOM**.



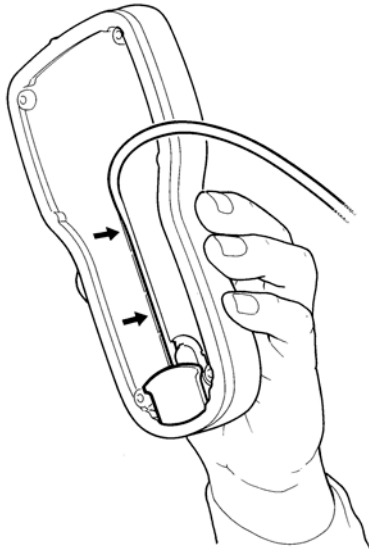
- Using adhesive tape, fix the drilling template in position on the enclosure.
- Drill four holes of 4.5mm diameter as shown on the template, taking care not to get swarf inside the cubicle.
- Drill the 35mm hole marked on the template. Take care not to get swarf inside the cubicle.
- Remove the template from the enclosure.
- It is recommended that the holes are deburred and painted at this stage to prevent corrosion.

- Fit the seal to the Drive Data Manager™ ensuring that the six raised points of the seal are located into the corresponding holes on the Drive Data Manager™



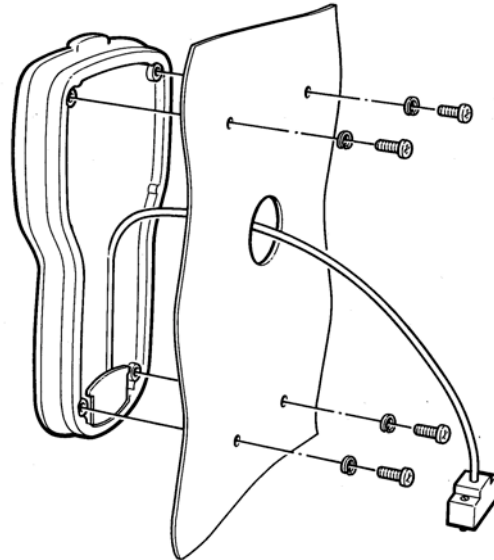
Continued....

ALSPA MV3000 Drive Data Manager™ Lead/Mounting Kit



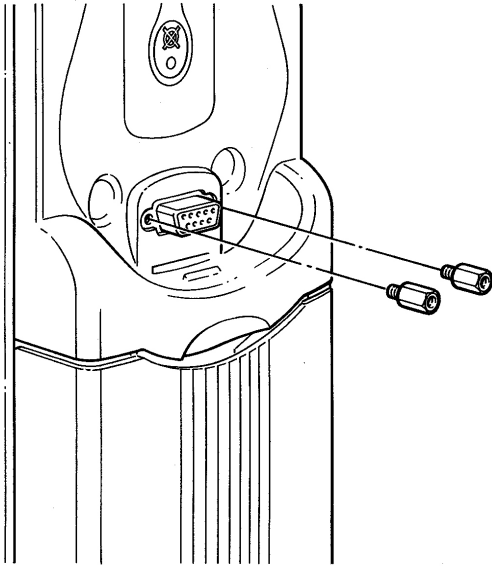
- Fit the lead to the Drive Data Manager™.

- Pass the other end of the lead through the 35mm diameter hole in the enclosure.
- Using the M4 x 8 screws and spring washers provided, secure the Drive Data Manager™ to the enclosure as shown opposite.
- Tighten the screws to compress the seal.



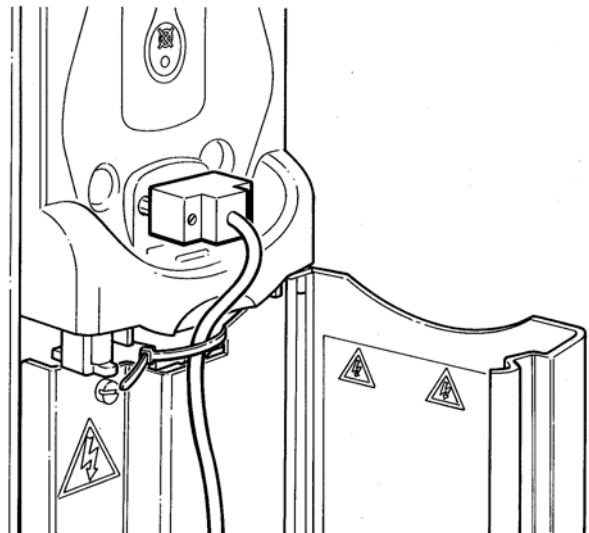
Continued....

ALSPA MV3000 Drive Data Manager™ Lead/Mounting Kit



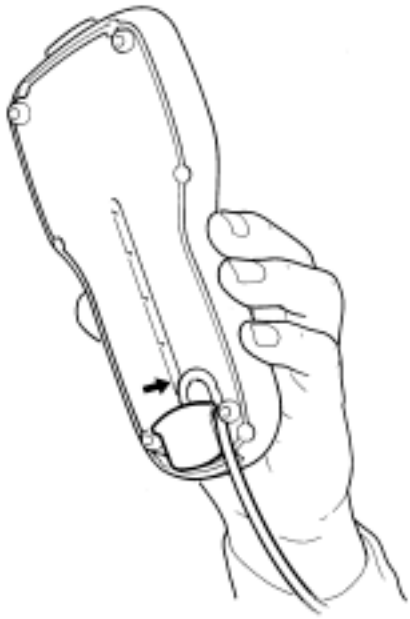
- Fit the 4-40 UNC screw locks to the drive.

- Route the Drive Data Manager™ lead as required through the enclosure to the drive.
- Open the yellow Control Door and route the cable up inside the Control Wiring area of the drive. The shroud covering the Digital Outputs (TB1) may have to be loosened to route the cable behind.
- Plug the lead to the drive and secure using the fixing screws provided on the connector.
- The lead can now be attached to the drive as shown using the Cable Tie provided.
- Close the yellow Control Door.
- Enclosure Fitting of the Drive Data Manager™ is now complete.



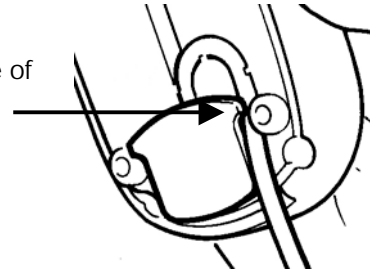
ALSPA MV3000 Drive Data Manager™ Lead/Mounting Kit

Fitting Instructions For Hand-Held Operation Of The Drive Data Manager™



- For hand-held operation of the Drive Data Manager™ fit the extension lead as shown.

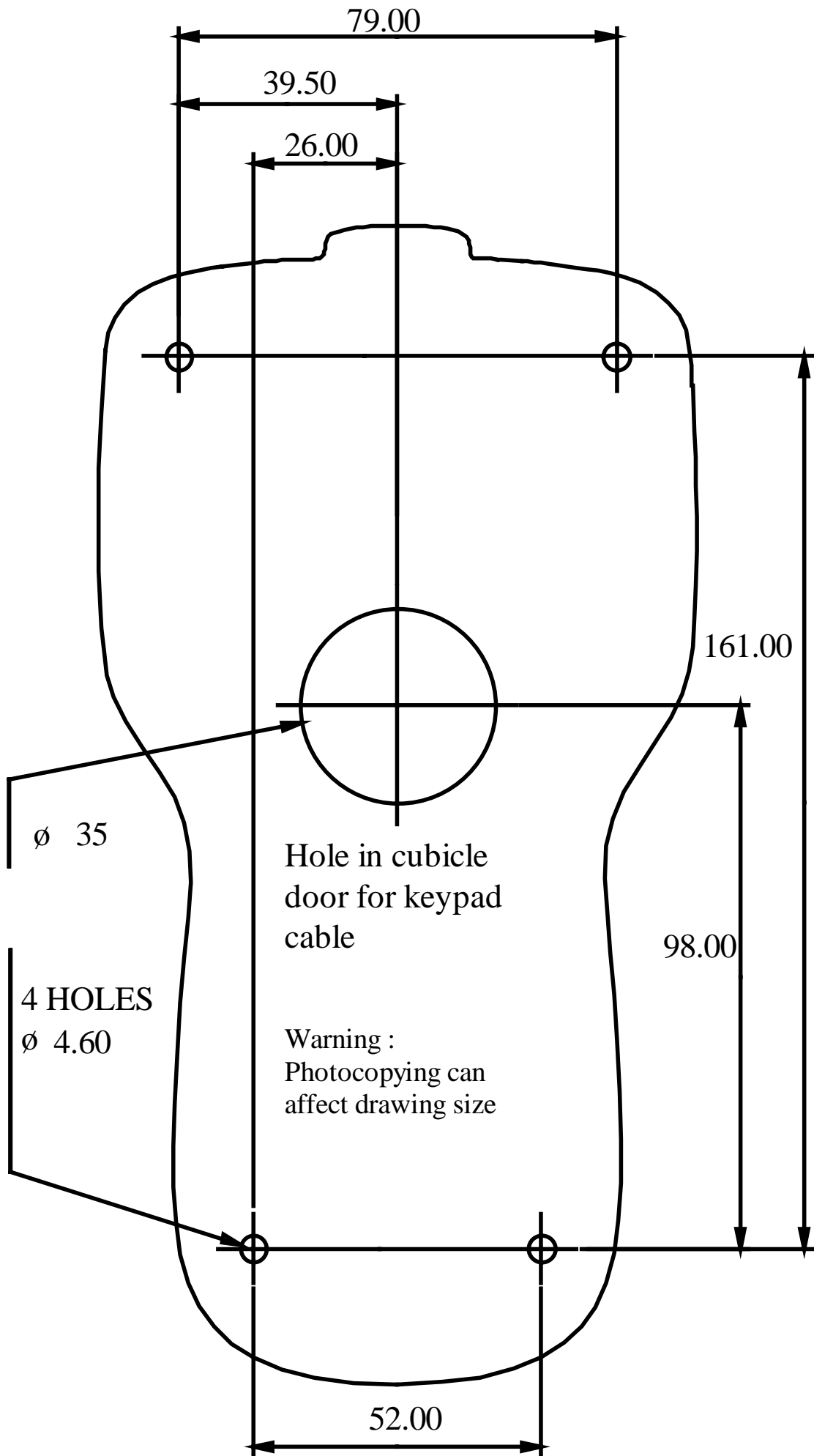
- Use the tab on the side of the extension lead connector to retain the lead.



- The cable at the drive end should be fitted as per the enclosure mounting instructions, using the 4-40UNC screw locks to secure the cable.

Customer Support and Training

Please refer to your local technical support centre if you have any queries about this product.



ALSPA MV3000 Drive Data Manager™ Lead/Mounting Kit

Avid Controls, Inc.
41261 Park 290 Dr
Waller, TX 77484
+1(281)640-8600
Fax +1(281)640-8605
info@avidcontrolsinc.com
www.avidcontrolsinc.com