

REV 02  
April 13, 2020

Avid Controls Inc.  
41261 Park 290 Drive, Waller, TX 77484, USA  
info@avidcontrolsinc.com  
(+1) (281) 640-8600

AVID Controls Inc. pursues a policy of continuous product improvement and innovation. This may not be the latest revision of this publication and may not reflect all current product changes. Contact AVID Controls Inc. for the latest revision of this data sheet and information on other product enhancements.

## Contents

1. Introduction .....	3
2. WARNINGS & SAFETY INSTRUCTIONS .....	3
3. Disposal .....	4
4. Related Documents.....	4
5. Product Variants .....	5
5.1 Grades .....	5
5.2 Plumbing Option.....	6
5.3 Capacitor Cooling Fans .....	7
5.4 Coating of the Delta Interface Board (DIB) .....	7
5.5 Table of Supported* <sup>1</sup> Avid MVDL800 / MVDL1000 Units .....	8
6. Specification.....	9
6.1 Electrical – Power Section.....	9
6.2 Cooling .....	10
6.3 Environmental.....	11
6.4 Mechanical.....	12
6.5 Power and Control Customer Connections.....	14
6.6 Additional DC Connections.....	16
6.7 Electrical Diagram.....	17
7. Typical System Components.....	18
8. Contact Details for Sales, Service and Support.....	19
9. Document Revision History .....	19

**AVID CONTROLS** and the  logo are registered trademarks of Avid Controls Inc.

## 1. Introduction

- The MVDL800 and MVDL1000 units are manufactured and remanufactured by Avid Controls Inc under a license agreement with the General Electric Company.
- The MVDL800 and MVDL1000 are AC Inverter power modules for use in MV3000 variable speed drive systems for the control of AC motors and other applications. They are controlled by an MV3000 Common Drive Controller (CDC).
- Maximum current: 880A AC / 1100A AC
- Operational Voltages
  - Working AC Voltage: up to 690 V AC
  - Maximum Nominal Internal Voltage: 1200 V DC
- IGBT based Transistor Bridge Module
- Liquid Cooled
- Weight: 105kg (231 lb.)

## 2. WARNINGS & SAFETY INSTRUCTIONS

- This equipment may be connected to more than one live circuit.
- Wait at least 5 minutes after isolating supplies and check that the voltage between DC+ and DC- has reduced to a safe level before working on the equipment.
- Surfaces on the coolant pipes can reach high temperatures and remain hot for some time after power is removed.
- Ensure that all coolant has cooled to a safe temperature and the equipment is suitably drained and isolated before the external pipework is disconnected from the equipment.
- Unit is heavy: 105kg (231 lb.)
- Care has been taken with the design of this product to ensure that it is safe. However, in common with all products of this type, misuse can result in injury or death. Therefore, it is very important that the instructions in this technical data sheet and the manual as well as on the product are observed during transportation, commissioning, operation, maintenance and disposal.
- This technical data sheet and the manual must be regarded as part of the product. It should be stored with the product and must be passed on to any subsequent owner or user.
- Local safety laws and regulations must always be observed.
- Persons working on the product must be suitably skilled and should have been trained in that work for these products.
- The product is a component designed for incorporation in installations, apparatus and machines.
- The product must not be used as a single item safety system. In applications where mal-operation of the product could cause danger, additional means must be used to prevent danger to persons.
- Product approvals and certifications will be invalidated if the product is transported, used or stored outside its ratings or if the instructions in the manual are not observed.
- In the European Union:
  - Products within the scope of the Low Voltage Directive, 2006/95/EC are CE marked.
  - The product complies with the essential protection requirements of the EMC directive 2004/108/EC, when installed and used as described in the manual.

- The requirements of the EMC Directive should be established before any installation, apparatus or machine, which incorporates the product, is taken into service.
- A machine must not be taken into service until the machine has been declared in conformity with the provisions of the Machinery (Safety) Directive, 2006/42/EC.

### 3. Disposal

- This equipment or any part of the equipment should be disposed of in accordance with the laws of the country of use.
- Modern high technology materials have been used in the manufacture of the equipment to ensure optimum performance. Care has been taken with the selection of these materials to minimize risks to health and safety. However, some materials require special consideration during the disposal.
- In common with all products of this type, the high voltage electrolytic capacitors contain an electrolyte, which must be disposed of as hazardous waste. The electrolytes are solutions of organic and/or boric acid. The major solvents in the capacitors are butyrolactone and ethylene glycol. The electrolyte is non- carcinogenic, but may cause irritation to the skin if contact is prolonged.
- Liquid coolant is subject to special considerations during handling, storage and disposal. Refer to the manufacturer's instructions.

### 4. Related Documents

- This module is one component out of a range of components used for the MV3000 drive system. This data sheet gives details specifically for the items listed in section 0 of this document.
- For additional information on the installation, commissioning, operation, maintenance and performance of the complete drive system, please refer to all MV3000 documents, including:
  - T1676EN, MV3000 Getting Started Manual for AC-fed Drives
  - T2002EN, MV3000 Getting Started Manual for Active Energy Management Drives
  - T1693EN, MV DELTA Liquid Cooled Drive System
  - T1679EN, MV3000 Drive Range Software Technical Manual

5. Product Variants

5.1 Grades

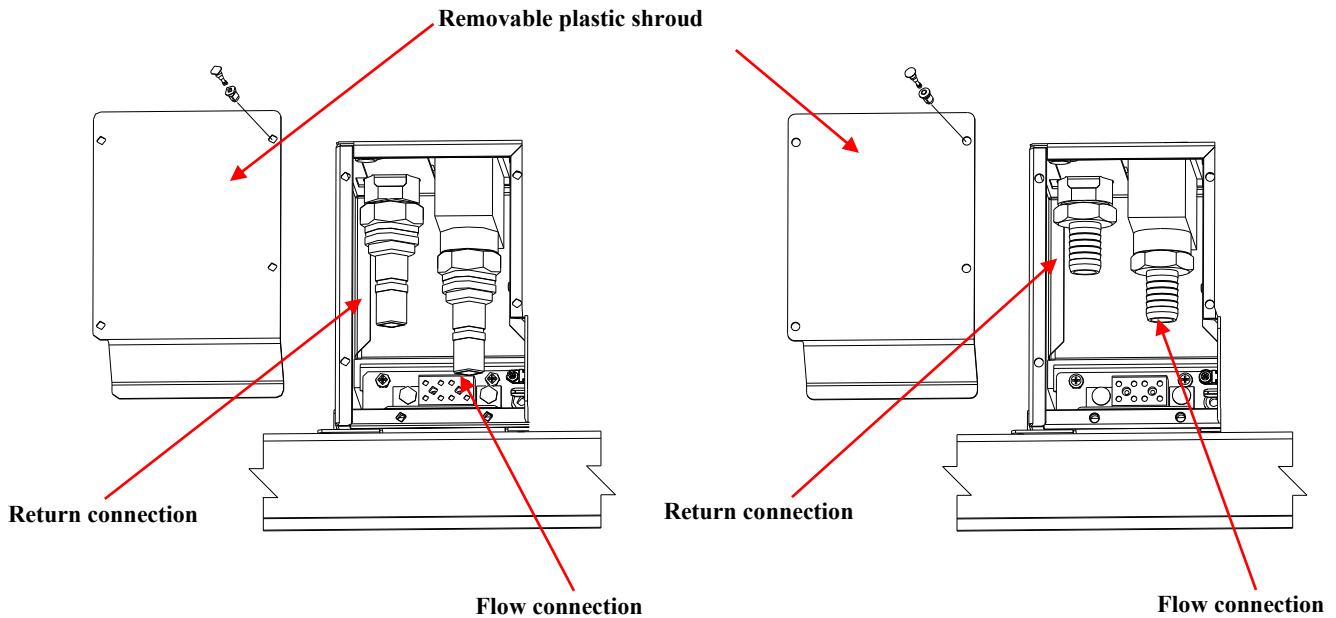
- There are three distinct grades of Avid MVDL800 / MVDL1000 products:

GRADE	NEW	REMANUFACTURED	REMANUFACTURED - ENHANCED
Identification	<b>MODEL NUMBER</b> ends in <i>-A</i>	<b>MODEL NUMBER</b> ends in <i>-REMAN</i>	<b>MODEL NUMBER</b> ends in <i>-REMAN-S</i>
IGBT Power Modules	Brand new to all GE specifications	Brand new to all GE specifications <b>OR</b> Reconditioned and re-certified by Avid using original parts from Power Module manufacturer	Brand new to all GE specifications
DC Link Capacitors	Brand new to all GE specifications	Brand new to all GE specifications <b>OR</b> Tested and recertified by Avid	Brand new to all GE specifications
Coolant sealing components	Brand new to all GE specifications		
Fasteners	Brand new to all GE specifications		
All other components	Brand new to all GE specifications	Recovered from returned Delta units and fully reconditioned	
Delta Unit Test	Full functional and extended load testing		

5.2 Plumbing Option

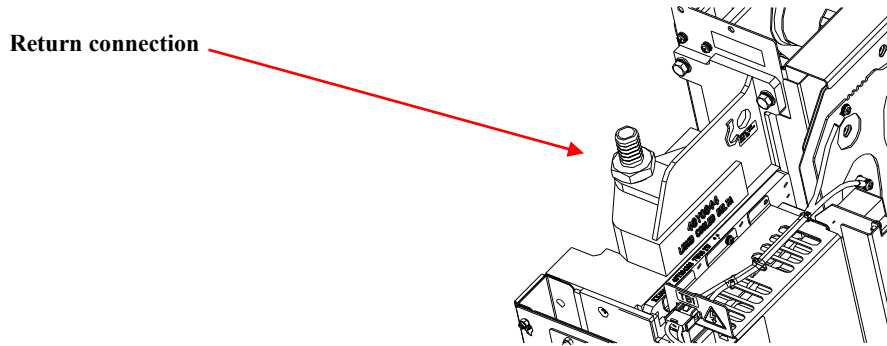
- There are three options for connection of coolant to the Delta unit:

OPTION	A	B	C
Identification	Embedded in <b>MODEL NUMBER</b> – see table in this section		
Coupling Type	¾” Hose Barb, Aluminum		Staubli RMI 16 Quick Disconnect Plug
Coupling Location	Inlet and Outlet both at bottom of unit	Inlet at the bottom of the unit, outlet at the top	Inlet and Outlet both at bottom of unit
Air Bleed Valve Fitted	YES	NO	YES



**Option C** – Spring Loaded, Self-Sealing Connectors (Staubli RMI 16)

**Option A** – Barbed Hosetail Connectors



**Option B – Barbed Hosetail Connections, Return at Top and Flow at Bottom**

5.3 Capacitor Cooling Fans

- Avid Delta units are supplied with or without capacitor cooling fans, as required for different applications.
- Units supplied without fans **MUST** be installed in systems that separately provide sufficient air flow for capacitor cooling.

5.4 Coating of the Delta Interface Board (DIB)

- New units may be specified to use conformal coating on the Delta Interface Board.
- Note that conformal coating will become the standard for **ALL** new grade Avid MVDL units, but if this is required, the appropriate Model Number should be specified.

5.5 Table of Supported\*<sup>1</sup> Avid MVDL800 / MVDL1000 Units

<i>MODEL NUMBER</i> for <i>NEW</i> units	<i>MODEL NUMBER</i> for <i>REMANUFACTURED</i> units	<i>MODEL NUMBER</i> for <i>REMANUFACTURED-ENHANCED</i> units	Description
MVDL800-4702-93-A MVDL800-5702-93-A* <sup>3</sup>	MVDL800-4702-93-REMAN	MVDL800-4702-93-REMAN-S	<ul style="list-style-type: none"> <li>800A Unit, Plumbing Option A,</li> <li>Without capacitor fans</li> </ul>
MVDL800-4704-93-A MVDL800-5704-93-A* <sup>3</sup>	MVDL800-4704-93-REMAN	MVDL800-4704-93-REMAN-S	<ul style="list-style-type: none"> <li>800A Unit, Plumbing Option B,</li> <li>Without capacitor fans</li> </ul>
MVDL800-47931001-A MVDL800-57931001-A* <sup>3</sup>	MVDL800-47931001-REMAN	MVDL800-47931001-REMAN-S	<ul style="list-style-type: none"> <li>800A Unit, Plumbing Option C,</li> <li>Without capacitor fans</li> </ul>
MVDL800-47931101-A MVDL800-57931101-A* <sup>3</sup>	MVDL800-47931101-REMAN	MVDL800-47931101-REMAN-S	<ul style="list-style-type: none"> <li>800A Unit, Plumbing Option C,</li> <li>With capacitor fans</li> </ul>
MVDL1000-4702-93-A MVDL1000-5702-93-A* <sup>3</sup>	MVDL1000-4702-93-REMAN	MVDL1000-4702-93-REMAN-S	<ul style="list-style-type: none"> <li>1000A Unit, Plumbing Option A,</li> <li>Without capacitor fans</li> </ul>
MVDL1000-4703-93-A	MVDL1000-4703-93-REMAN	MVDL1000-4703-93-REMAN-S	<ul style="list-style-type: none"> <li>1000A Unit, Plumbing Option A,</li> <li>Without capacitor fans</li> <li>With Extra DC connects</li> </ul>
MVDL1000-4704-93-A MVDL1000-5704-93-A* <sup>3</sup>	MVDL1000-4704-93-REMAN	MVDL1000-4704-93-REMAN-S	<ul style="list-style-type: none"> <li>1000A Unit, Plumbing Option B,</li> <li>Without capacitor fans</li> </ul>
MVDL1000-47931001-A MVDL1000-57931001-A* <sup>3</sup>	MVDL1000-47931001-REMAN	MVDL1000-47931001-REMAN-S	<ul style="list-style-type: none"> <li>1000A Unit, Plumbing Option C,</li> <li>Without capacitor fans</li> </ul>
MVDL1000-47931000-A MVDL1000-57931000-A* <sup>3</sup>	MVDL1000-47931000-REMAN	MVDL1000-47931000-REMAN-S	<ul style="list-style-type: none"> <li>1000A Unit, Plumbing Option C,</li> <li>Without capacitor fans,</li> <li>Reduced AC Terminal shrouding (800A Style)</li> <li>*2See note below</li> </ul>
MVDL1000-47931101-A MVDL1000-57931101-A* <sup>3</sup>	MVDL1000-47931101-REMAN	MVDL1000-47931101-REMAN-S	<ul style="list-style-type: none"> <li>1000A Unit, Plumbing Option C,</li> <li>With capacitor fans</li> </ul>

\*1: These are all of the MVDL units supported in the Avid manufacturing system and described by this Data Sheet. Contact Avid Controls for information on standard/preferred products.

\*2: This is option is intended for specific applications where shrouding is provided at the system level by the equipment manufacturer – it is not intended for general use.

\*3: These **NEW** units have a conformally coated Delta Interface Board.



## 6. Specification

### 6.1 Electrical – Power Section

Specification	MVDL800	MVDL1000	Notes & Applicable Conditions
Current Rating with 110% Overload	800A	1000A	Overload = 150% / 110% for 60s once per 10 minutes Coolant Temp. = 60°C DC Link Voltage = 975V PWM Frequency = 1.25kHz (Generator) Power Factor = 0.89 Freq. > 30Hz  Refer to Avid Controls for ratings at different conditions
Current Rating with 150% Overload	587A	733A	
Overload Current	110% or 150%		For 60s once per 10 minutes RMS value must be below that specified above
Instantaneous Over-current Trip Level	2500A		
Current Clipping (“Brick Wall Limit”) Level	1518A		
Continuous DC Link Operating Voltage	1170 V		Limited by SMPS Over Voltage Trip
Short Term (7.5s) DC Link Operating Voltage	1275V		SMPS may have lower limit, which must be respected
Non-Operating DC Link Withstand Voltage	1315 V		SMPS may have lower limit, which must be respected
PWM Switching Frequency	1.25kHz, 2.5kHz and 5.0kHz		Set by parameter P35.00 Values > 1.25kHz will affect rating
DC Link Capacitance	11600 $\mu$ F	16800 $\mu$ F	+20/-10 %
Input Voltage Imbalance	$\leq$ 3% Negative Sequence Voltage		
Network Type	TN or TT (grounded Neutral)		Can also be connected to IT network (i.e. isolated neutral) if IT network separated from public mains supply by an isolating transformer.

Specification	MVDL800	MVDL1000	Notes & Applicable Conditions
Insulation Standards	<b>UL 840</b> <b>CSA C22-2 No. 0.2</b> <b>EN 50178:</b> TN or TT network: Overvoltage Category III IT network: Overvoltage Category II		For full compliance with UL 508C, transient suppressers complying with UL 1449 must be fitted external to the drive.

## 6.2 Cooling

Specification	Value
Coolant Type	Water / Ethylene Glycol Maximum 50% Ethylene Glycol With suitable corrosion inhibitors
Minimum Coolant Flow	25 liters/min (6.6 US-GPM)
Maximum Coolant Inlet Pressure	300kPa (45psi)
Maximum Coolant Inlet Temperature	60°C
Minimum Coolant Inlet Temperature	0°C
Coolant Strainer	Coolant must be strained to remove particles Maximum recommended strainer mesh is 0.7mm (0.028") Inspect and clean strainer every six months
Coolant Lifetime	Check coolant constituent concentration every six months Remove coolant, flush system with de-ionized water and refill with new coolant every 24 months.
Coolant Connection Options	<ul style="list-style-type: none"> <li>• 1x hose-barb top, 1x hose-barb bottom (Option A)</li> <li>• 2x hose-barb at bottom of unit (Option B)</li> <li>• 2 x Quick-Disconnect at bottom of unit (Option C)</li> </ul>
Heat Load to Coolant	<ul style="list-style-type: none"> <li>• At 975V DC Link, 1.25kHz PWM and 40°C coolant inlet: 587A : 3887 W 733A : 5114 W 800A : 5715W 1000A : 7687 W</li> </ul>

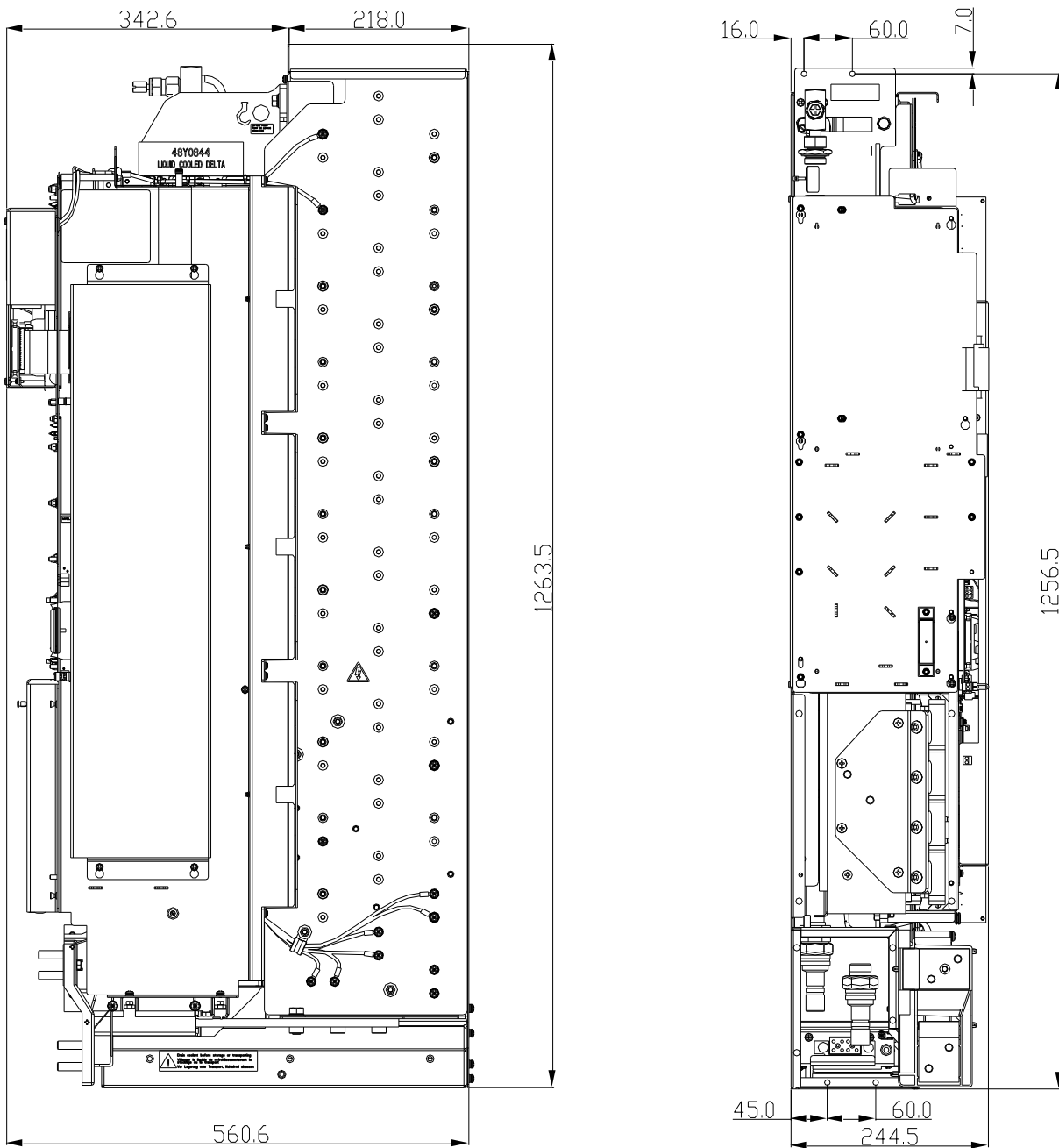
### 6.3 Environmental

Function	Specification				
Ambient Temperature (Internal cabinet temperature)	0 to 50°C				
Operating Relative Humidity	5 to 95% (non-condensing)				
Operating Altitude	Normal operating altitude up to 1000 m (3280 ft.) above sea level. From 1000 m (3280 ft.) to a maximum of 2000 m (6551 ft.) de-rate by 7.3% per 1000 m				
Operating Cabinet Air	Pollution Degree 2 (IEC 60664-1, UL 840 and CSA C22.2 No. 0.2-93) i.e. clean, free from dust, condensation and conductive or corrosive gases. If conductive pollution or condensation are expected (Pollution Degree 3), the drive must be placed in an enclosure which achieves Pollution Degree 2 by: <ul style="list-style-type: none"> <li>- excluding the conductive pollution e.g. by the use of filtered air;</li> <li>- preventing condensation e.g. by use of anti-condensation heaters.</li> </ul> In extreme environments dual circuit heat exchangers are recommended.				
Operating and Storage Chemicals (max.)	15 ppm H2S    25 ppm NO2    25 ppm SO2				
Storage Temperature	-25 to +55°C (-13°F to 131°F)				
Storage Relative Humidity	5 to 95% non-condensing				
Storage Altitude	Up to 3000 m (9842 ft.) above sea level				
Transport Temperature	-25 to +70°C (-13°F to 158°F)				
Transport Relative Humidity	5 to 95% (non-condensing)				
Transport Altitude	Will withstand air transport				
Enclosure Ingress Protection	IP00 (to IEC 60529; BS EN 60529), Open Type product (to UL508C, IEC 618005-1) These modules must always be installed in an appropriate enclosure with				
<b>Vibration</b> - Operational	Type tested against the worst combination of the requirements of IEC 61800-2 (which specifies 'Class 3M1' of IEC 60721-3-3), EN 50178, IEC 61800-5-1 and DNV Rules for Ships, Jan. 2010 Part 4, Ch. 8, Section 3; summarized by the 'composite' column below:				
	Frequency	IEC 61800-2	IEC 81800-5-1	DNV	Composite
	2 to 5 Hz	0.3 mm amplitude			0.3 mm amplitude
	5 to 9 Hz	0.3 mm amplitude		20 mm amplitude	20 mm amplitude
	9 to 50 Hz	1 m/s <sup>2</sup>	0.075 mm (from 10 Hz)	20 mm amplitude	20 mm amplitude
	50 to 57 Hz	1 m/s <sup>2</sup>	0.075 mm		1 m/s <sup>2</sup>
	57 to 150 Hz	1 m/s <sup>2</sup>	9.81 m/s <sup>2</sup>		9.81 m/s <sup>2</sup>
	150 to 200	1 m/s <sup>2</sup>			1 m/s <sup>2</sup>

Function		Specification
<b>Vibration</b>	- Storage and transport	To IEC 61800-2 which specifies Class 2M1 of IEC 60721-3-2 when equipment is packed for transport: 2 to 9 Hz                      3.5 mm amplitude 9 to 200 Hz                    10 m/s <sup>2</sup> 200 to 500 Hz                 15 m/s <sup>2</sup>
<b>Drop</b>	- Transport	To IEC 61800-2 which specifies Class 2M1 of IEC 60721-3-2 when equipment is packed for transport: mass < 100 kg = 0.25 m; mass > 100 kg = 0.10 m
<b>Inclination</b>		- Static conditions; list 15°, trim 5° - Dynamic conditions; rolling ± 22.5°, pitch ± 7.5° (may occur simultaneously)

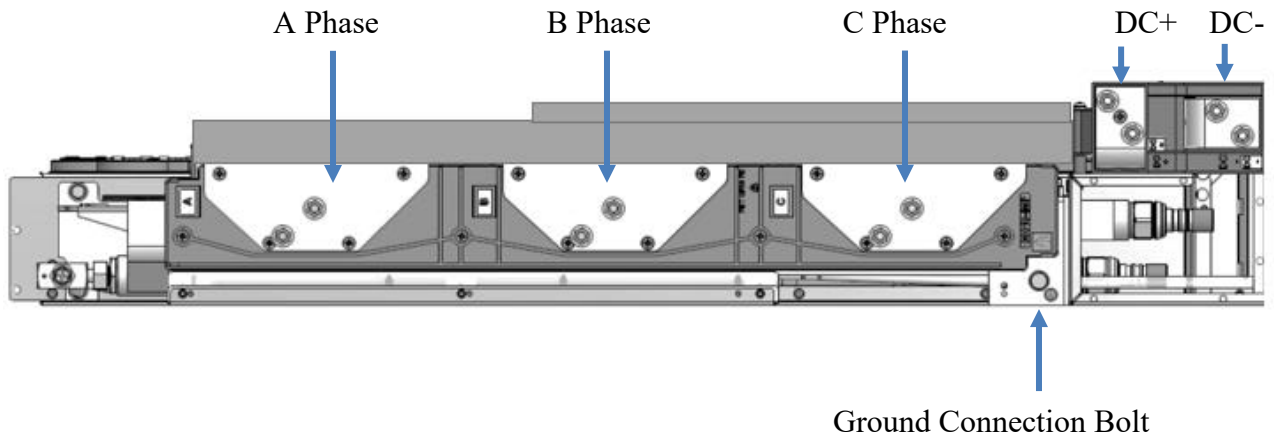
#### 6.4 Mechanical

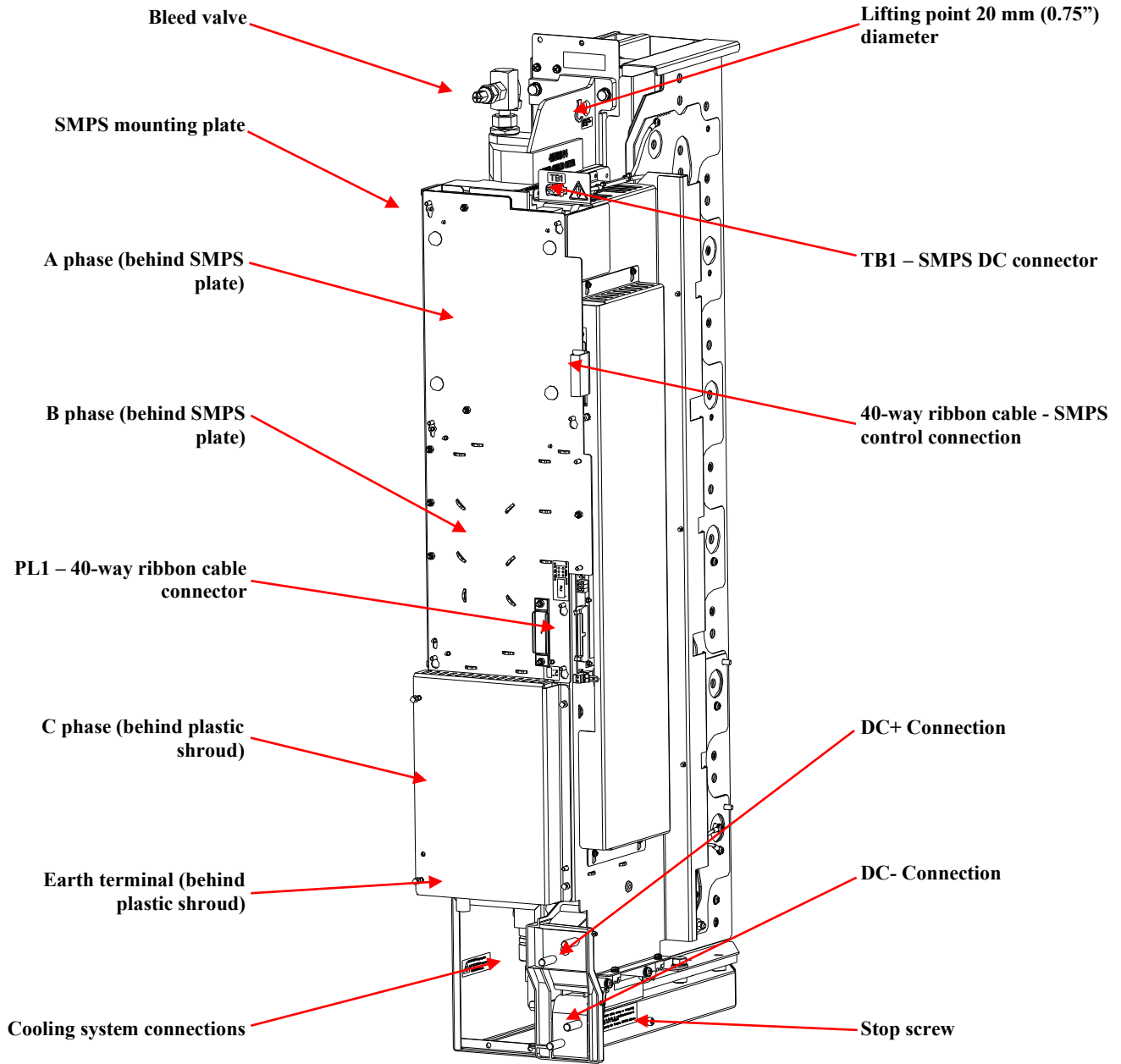
Specification	Value
Dimensions	248mm W x 1232mm H x 546mm D (9.75" W x 48.5" H x 21.5" D)
Enclosure	IP00 (IEC 60529:1989; BS EN 60529:1992) NEMA 1 Must always be installed within suitable enclosure with restricted access
Mass	103kg (227 lb.)



6.5 Power and Control Customer Connections

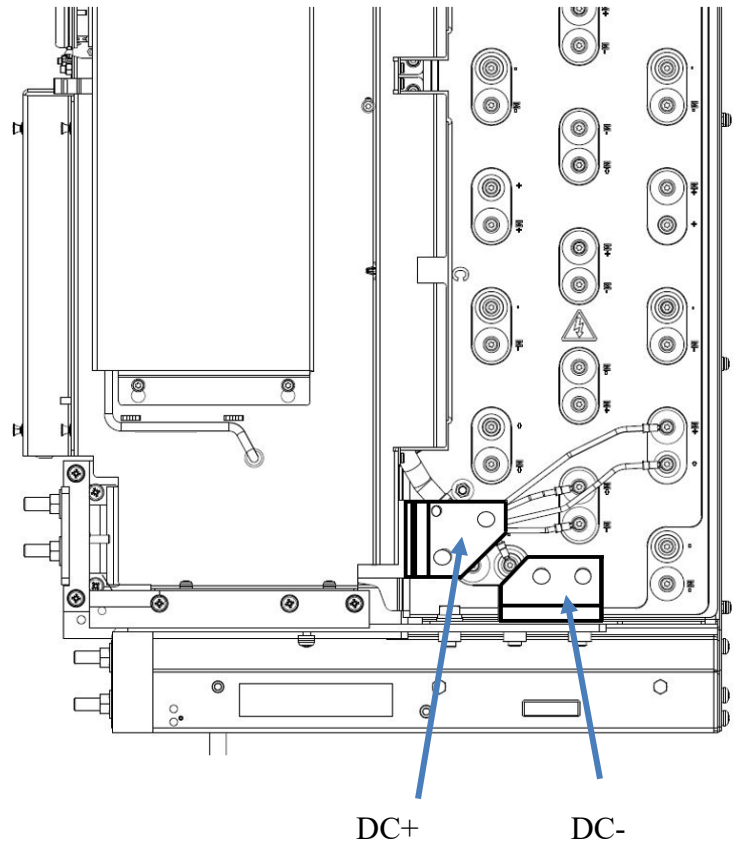
Connection	<i>Value for MVDL800</i>	<i>Value for MVDL1000</i>
AC Power Terminals	2 x M10 studs per phase Maximum cable size per stud is 120mm <sup>2</sup>	3 x M10 studs per phase Maximum cable size per stud is 120mm <sup>2</sup>
DC Power Terminals	2 x M10 studs each for DC+ and DC- Maximum cable size per stud is 120mm <sup>2</sup>	3 x M10 studs each for DC+ and DC- Maximum cable size per stud is 120mm <sup>2</sup>
Ground Connection	1 x M10 bolt	
DC High Voltage Control Connection	2-way Connector TB1 for SMPS & Voltage monitoring	
Low Voltage Control Connections	40-way Ribbon Connector PL3 from SMPS 40-way Ribbon Connector PL1 to/from MV3000e Controller	





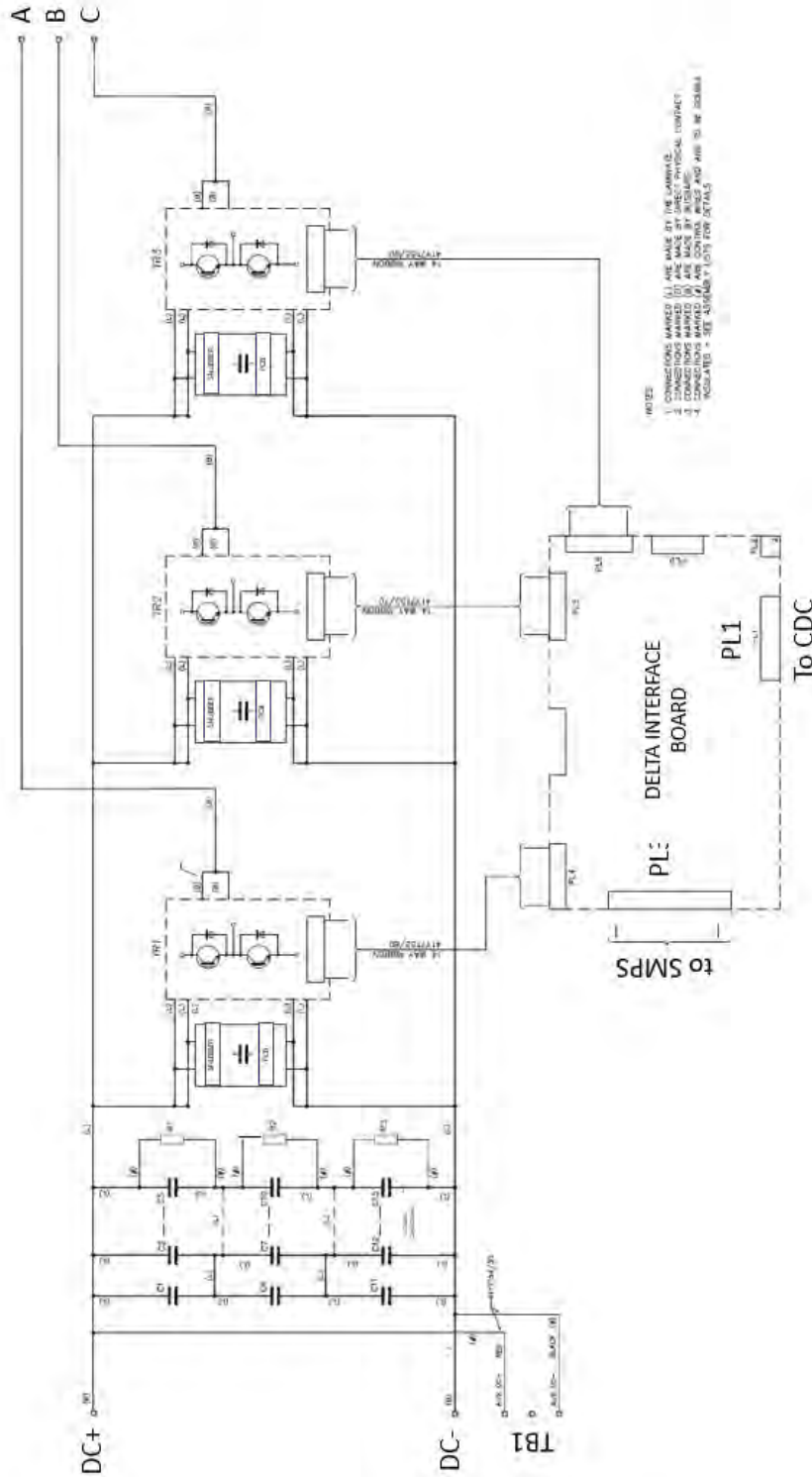
### 6.6 Additional DC Connections

Some models of DELTA module have additional DC connections (sometimes called Fish Plates) to the right-hand side of the unit. Where these are present, they are arranged as shown below.





6.7 Electrical Diagram



Generic Electrical Diagram of a  
DELTA Module

## 7. Typical System Components

Specification	<i>MVDL800</i>	<i>MVDL1000</i>	Notes & Applicable Conditions
AC Input Line Reactance	-	-	Not specified. Application dependent and a function of rectifier module(s) used.
DC Link Inductor for 6-pulse rectifier applications with 110% overload	50Z0151/XX	50Z0155/XX	XX represents the number of parallel Delta modules connected in parallel
DC Link Inductor for 6-pulse rectifier applications with 150% overload	50Z0152/XX	50Z0156/XX	
Inter-bridge Transformer for 12-pulse applications with 110% overload	50Z0153/XX	50Z0157/XX	
Inter-bridge Transformer for 12-pulse applications with 150% overload	50Z0154/XX	50Z0158/XX	
Split Reactor for Active Front End (AEM) Applications	MVDSRL0800/YY to MVDSRL4800/YY	MVDSRL1000/YY to MVDSRL6000/YY	Depending on number of Deltas in parallel. YY = 01 for Supply section and 02 for Inverter section
Output Sharing Reactors	50Z0126/02 10uH / 800A	50Z0126/03 10uH / 1000A	
DC Fuses, 110% Overload	<b>Bussmann</b> 170M6114 <b>Ferraz</b> 7.5 URD 44 TTQF 1200, Ref No. : N229 207A	<b>Bussmann</b> 170M6116 <b>Ferraz</b> 7.5 URD 44 TTQF 1600, Ref No. : E229 084A	See note * below
DC Fuses, 150% Overload	<b>Bussmann</b> 170M6116 <b>Ferraz</b> 7.5 URD 44 TTQF 1200, Ref No. : N229 207A	<b>Bussmann</b> 170M6116 <b>Ferraz</b> 7.5 URD 44 TTQF 1350, Ref No. : E£228 854A	

\* Fuse selection depends on many external factors, including the current/time loading conditions, number of starts per hour/day etc., fuse cooling, ambient temperature, continuous running or intermittent running and fuse connection/mounting arrangements.

The fuse information detailed here, is intended to provide a basic fusing arrangement for a single unit operating at rated current and voltage with an overload occurring for 60s once every 10 minutes and one stop/start per day.

8. Contact Details for Sales, Service and Support

- Please refer to your local technical support center if you have any queries about this product.

Avid Controls Inc.  
41261 Park 290 Drive, Waller, TX 77484, USA  
info@avidcontrolsinc.com  
(+1) (281) 640-8600

9. Document Revision History

Rev.	Date	Author	Changes
00	Dec 6 2017	Gary Pace	Document created
01	Sep 5 2018	Gary Pace	Conformally coated DIB model numbers defined
02	Mar 14 2019	Mark Woods	Mechanical & Electrical Connection Diagrams Added; Model with DC Connects added
03	April 13 2020	Lori Savell	Fixed Typo/Missing Word

Avid Controls is registered as an **ISO9001:2015** organization in respect of the  
Design and Manufacture of Power Electronic Modules and Systems