



REV 00
DATE: JULY 4TH 2018

Avid Controls Inc.
41261 Park 290 Drive, Waller, TX 77484, USA
info@avidcontrolsinc.com
(+1) (281) 640-8600

AVID Controls Inc. pursues a policy of continuous product improvement and innovation. This may not be the latest revision of this publication and may not reflect all current product changes. Contact AVID Controls Inc. for the latest revision of this data sheet and information on other product enhancements.

AVID CONTROLS and the  logo are registered trademarks of Avid Controls Inc.

Contents

1. Introduction	2
2. Safety Instructions	2
3. Disposal	2
4. Related Documents.....	3
5. Specifications	3
5.1 General.....	3
5.2 Environmental.....	3
6. Fitting Instructions for BDM drive	3
7. Cubicle Fitting Kit.....	4
8. Contact Details for Sales, Service and Support.....	4
9. Document Revision History	4

1. Introduction

- The MVS3000-4001-A is manufactured by Avid Controls Inc. under license from the General Electric Company. The unit is designed for monitoring and programming of MV3000 and AE3000 drive products. It may be used in hand held mode, plugged into an MV3000 BDM drive unit or mounted on a cubicle door using an optional door kit.

2. Safety Instructions

- The instructions in this instruction sheet must be observed. Local safety laws and regulations must always be observed. Failure to do so will invalidate product approvals and certifications on the original equipment. Persons working on the product must be suitably skilled and should have been trained in that work for these products. Prior to using the Avid keypad, users should be suitably trained in the use of the drive systems being controlled/monitored.

3. Disposal

- This equipment or any part of the equipment should be disposed of in accordance with the laws of the country of use.

- Modern high technology materials have been used in the manufacture of the equipment to ensure optimum performance. Care has been taken with the selection of these materials to minimize risks to health and safety. However, some materials require special consideration during the disposal.

4. Related Documents

- T1676 MV3000 Getting Started Manual for AC-fed Drives.
- T1679 MV3000 Software Technical Manual

5. Specifications

5.1 General

- Back lit 4 line 20 character display.
- Alpha numeric keypad.
- Local Run/Stop and Reference control.
- Meets IP41 environmental requirements.
- Power from drive - no external supply needed.

5.2 Environmental

- Humidity : 5% to 95% Relative Humidity, non-condensing.
- Altitude : Normal operating up to 2000m above sea level.
- Temperature : Operating 0°C to 50°C
 Storage -25°C to 70°C

6. Fitting Instructions for BDM drive

- The keypad fits into the drive harbor by first sliding the lip on the top of the keypad into position, then tilting the keypad back.

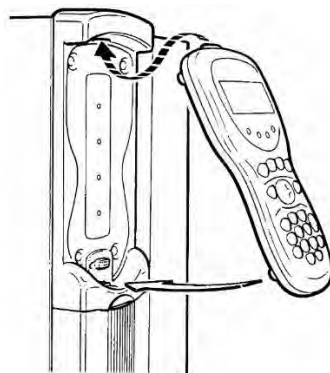


Figure 6-1. – Fitting Avid Keypad

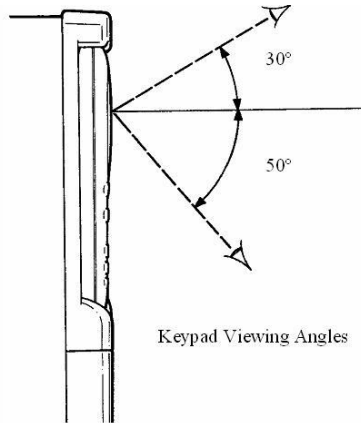


Figure 6-2. – Keypad Viewing Angles

7. Cubicle Fitting Kit

- To fit the unit to a cubicle door an optional kit is required, part ref MVS3001-4001 available from Avid Controls. This kit allows the cubicle to achieve IP65 and consists of a waterproof gasket, screws and an extension lead. Separate instructions are provided with the door kit.

8. Contact Details for Sales, Service and Support

- Please refer to your local technical support center if you have any queries about this product.

Avid Controls Inc.
41261 Park 290 Drive, Waller, TX 77484, USA
info@avidcontrolsinc.com
(+1) (281) 640-8600

9. Document Revision History

Rev.	Date	Author	Changes
00	4 th July 2018	Mark Woods	Document created